



VP2MAA CQ WW CW Experience

Presented by Juan Lopez Jr., PhD (AC6ZM)

January 6, 2026

Multi-Single | Low Power
VP2MMA

Montserrat (Zone 8)
Gingerbread Hill

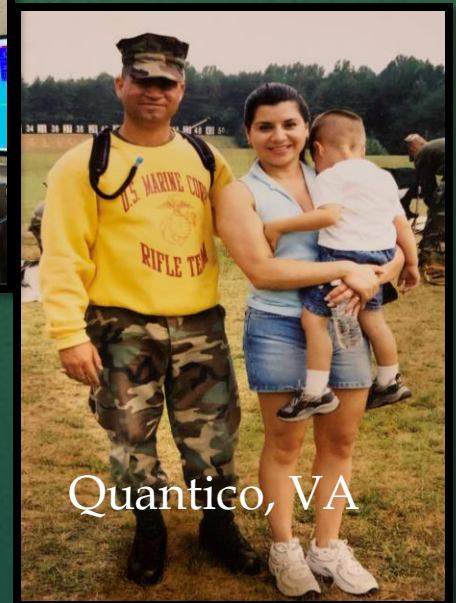
VP2MMA Team



Meet the Operators

AC6ZM (Juan)

- **USMC (27 years active duty)**
 - Radio Operator - MOS 2531
 - CWops #2419 (SE Ambassador)
- **POTA activator**
 - 39 States | 4 Countries
 - 208 Activations, >12K QSOs
- **Contest highlights**
 - 2019 ARRL CW - Division Winner
 - 2020 ARRL 160 - Division Winner
 - 2021 TNQP SOHP - Winner
 - 2021 NAQP RTTY - New Record (C6AZM)
 - 2022 GAQP Mobile - Winner
 - 2023 GAQP Rover - Winner
 - 2023 ARRL DX CW - MS W/VE Winner
 - 2024 HF IARU - Zone 11 Winner (New Record)
 - 2024 ARRL DX SSB - MS W/VE Winner
 - 2025 CQ WW DX CW - MS LP World Winner



Meet the Operators W4CMG (Cathy)



Meet the Operators

AD7N (Ben)



Meet the Operators WK9M (Randy)



Station Layout

MULT

RUN



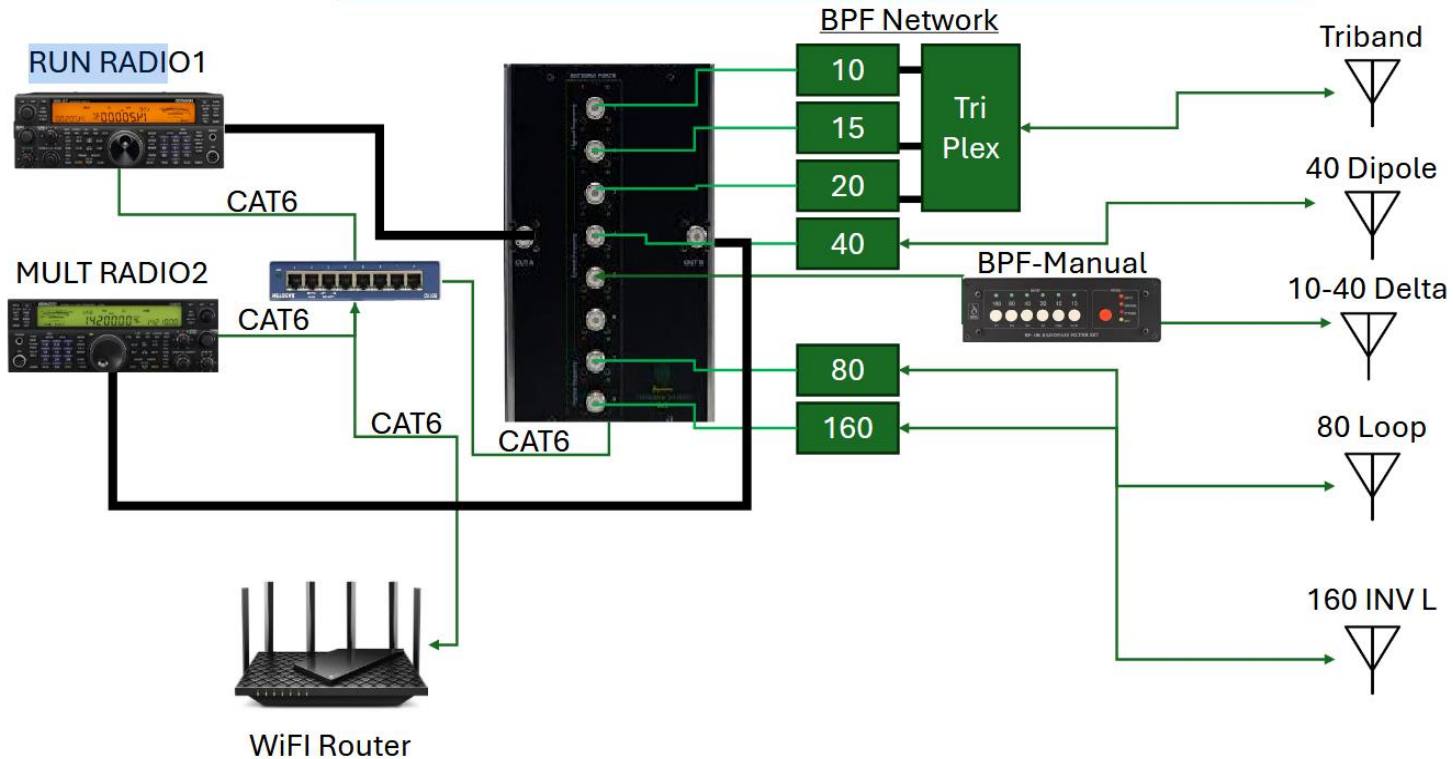
VP2MMA Equipment

Radios & Filters

- **Run** station: TS-590SG
- **Mult** station: TS-590SG
(w/SDR)
 - RSP-1B
- 8x2 4O3A antenna switch
- Perfo Box Bandpass filters
- Sure Fire 6 in 1 bandpass filter
- N1MM+ (Network Mode)

Configuration Diagram

VP2MMA M/S LP Station CONFIG



W4CMG & WK9M



Antennas

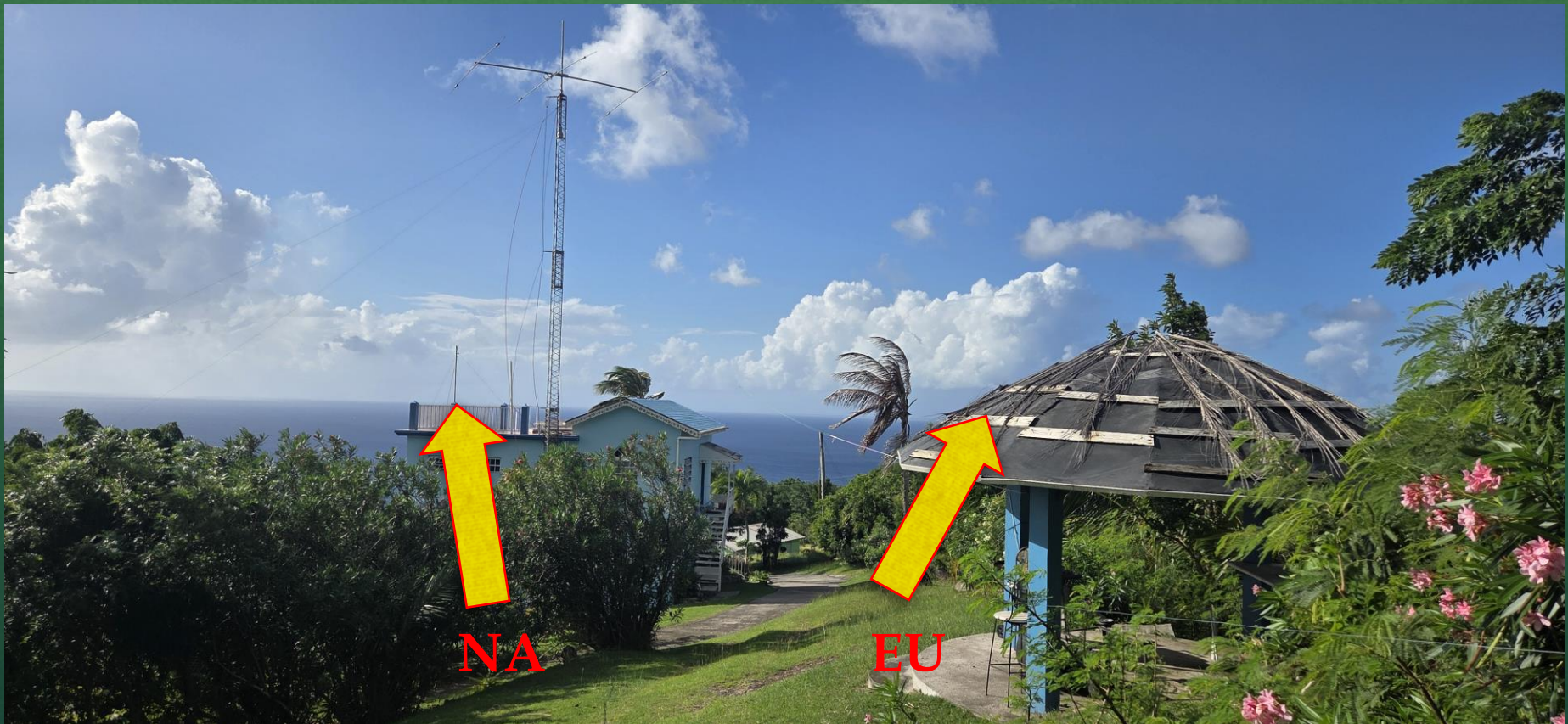
- Mosley Tribander @ 65 Ft
 - (10/15/20 meters)
- 40 meter Delta Loop
 - (15/40 meter)
- 160 meter Inverted L
 - 1 elevated radial + Coil
- 80 Meter Delt Loop



QTH Gingerbread Hill



NA & EU View



QSO Analysis

 VP2MMA Score - 7,747,710 Points

Contest: CQW/CW

Band	QSOs	Pts	ZN	Cty	Pt/Q
1.8	54	112	5	12	2.1
3.5	166	379	14	57	2.3
7	1005	2379	26	92	2.4
14	1269	2912	30	106	2.3
21	1370	3346	33	108	2.4
28	1518	3657	25	98	2.4
Total	5382	12785	133	473	2.4

Score: 7,747,710

1 Mult = 8.9 Q's

112.13 QSO per hour

Questions

